

MADE TO OUTLIVE ITS MAKERS



ESTABLISHED 2016

MADE BY MORGEN

AOB-S



DESIGNED AND MADE IN MELBOURNE, AUSTRALIA

madebymorgen.com

AOB-S

Spring Collection

Dimensions

L-1400mm W-400mm H-450mm

Material

| Shown here in American Oak |



American Oak

Finish | Natural
Origin(s) | Canada, USA
Environmental | FSC®



American Walnut

Finish | Dark
Origin(s) | Canada, USA
Environmental | FSC®

Upholstery

| Shown here in Grey and Olive upholstery |

Warwick - Augustus Collection

Colours: Grey or Olive
Attributes | Encore Recycled
Composition | 70% Recycled Wool
25% Polyamide 5% Acrylic
Origin | European

Warranty

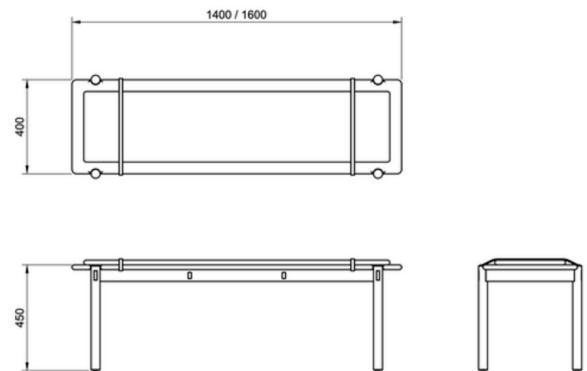
10 years structural manufacturer's warranty
3 years Warwick upholstery
See website for details, terms & conditions

Care and maintenance

Wipe off dust regularly with a clean dry soft cloth
Remove any marks with a clean dampened soft cloth
Indoor use only
See website for more info about Care Instruction.

Lead Time

12-16 weeks



Customisation

All pieces can be customised accordingly
materials, dimensions, finish

